

Supporting Information

Systematic and long-term technical validity of toxicity determination and early warning of heavy metal pollution based on an automatic water-toxicity-determination-system

Yue Yi^a, Baoguo Wang^a, Xuemei Yi^a, Fan Zha^c, Haisen Lin^d, Zhijun Zhou^e, Yanhong

Ge^{c,*}, Hong Liu^{b,**}

^a School of Life Science, Beijing Institute of Technology, Beijing 100081, China

^b Institute of Environmental Biology and Life Support Technology, School of Biological Science and Medical Engineering, Beihang University, Beijing 100191,

China

^c Infore Environment Technology Group, Foshan 528000, Guangdong Province,

China

^d Jiangmen Ecological Environment Monitoring Station, Jiangmen 529000,

Guangdong Province

^e Guangzhou Sub-branch of Guangdong Ecological and Environmental

Monitoring Center, Guangzhou 510000, Guangdong Province

*Corresponding author: Yanhong Ge, Senior Engineer, Guangdong Infore Technology Limited Company, No. 8, Cunhuishang Road, Jiangcun Village, Leliu Street, Shunde District, Foshan City, Guangdong, China. +86-0757-23272279; e-mail: geyh@infore.com

**Corresponding author: Hong Liu, Professor, School of Biological Science and Medical Engineering, Beihang University, No. 37, Xueyuan Road, Haidian District, Beijing, 100191, China. Tel./fax: +86-10-82339837; e-mail: lh64buaa@163.com

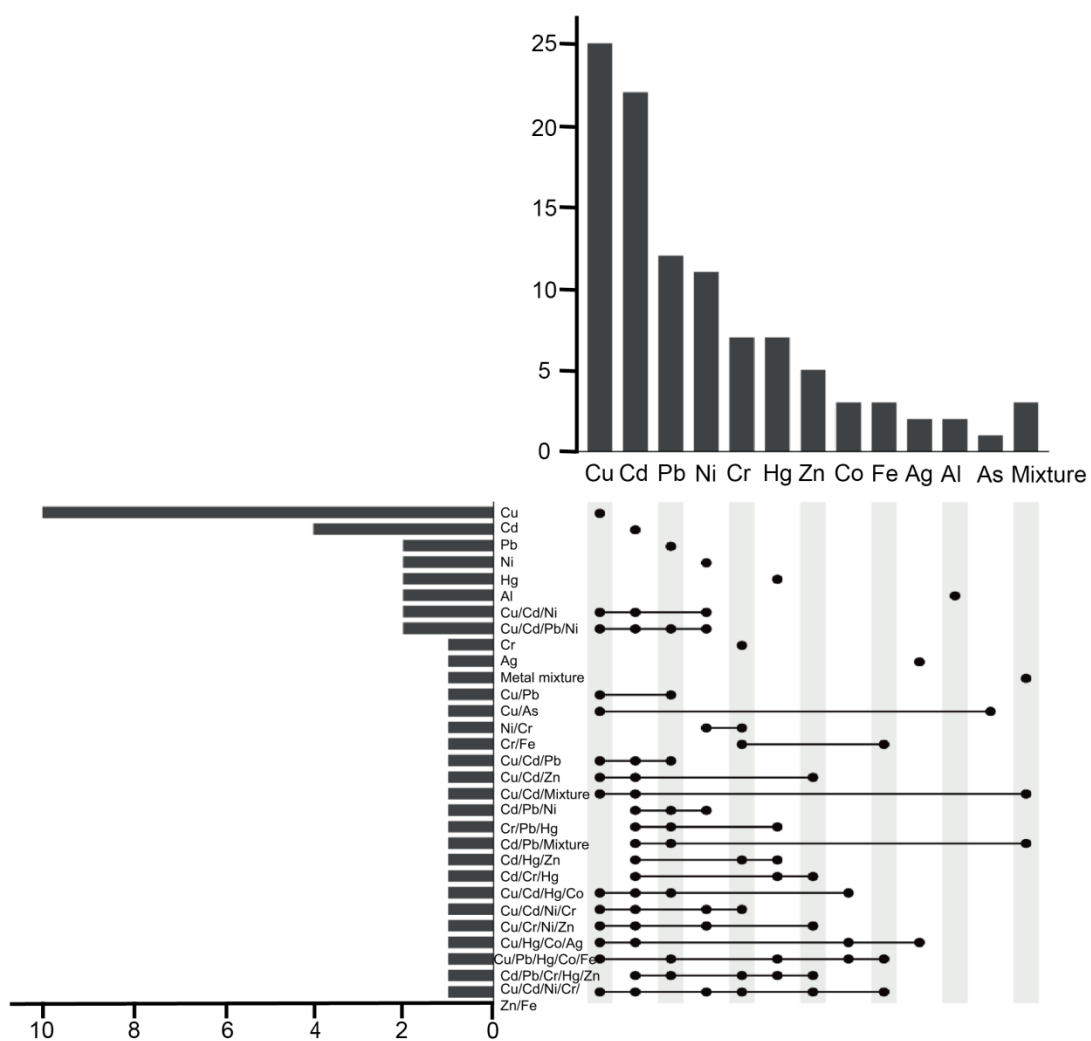


Fig. S1. A brief summary of heavy metal toxicity determination based on EAB.

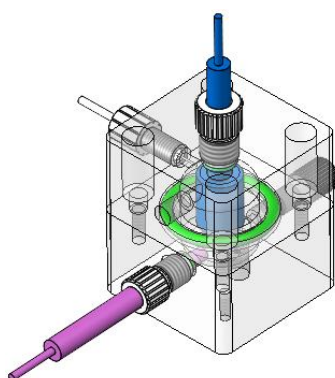


Fig. S2. The schematic diagram of S-MES.



Fig. S3. The picture of surface water quality monitoring with the automatic water toxicity determination system in Shangqiankou station.

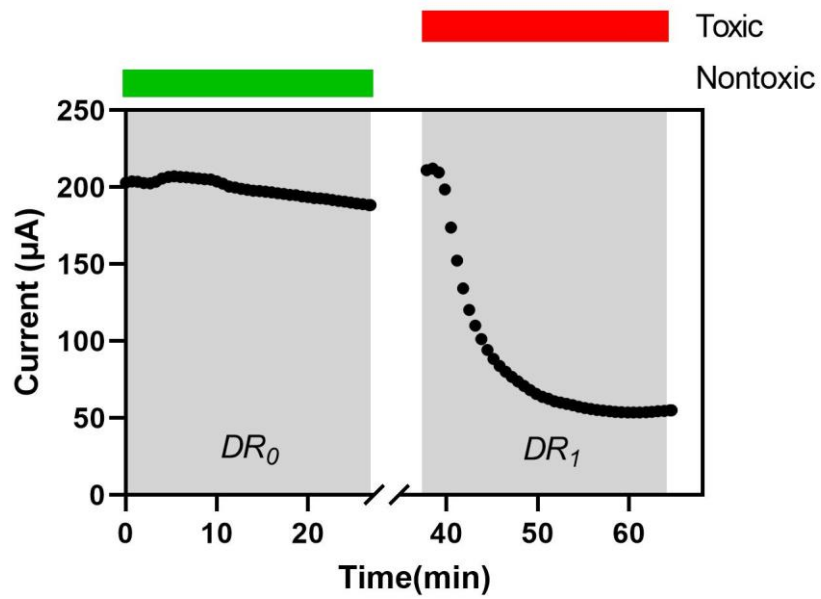


Fig. S4. The procedures of toxicity determination with an example of 0.5 mg/L Pb^{2+} .

