

Electronic Supplementary Material

Optimizing support acidity of NiMo catalysts for increasing the yield of benzene, toluene and xylene in tetralin hydrocracking

Feng Chen, Jianing Huo, Liang Zhao (✉), Jinsen Gao, Chunming Xu

State Key Laboratory of Heavy Oil Processing, China University of Petroleum,
Beijing 102249, China

E-mail: liangzhao@cup.edu.cn

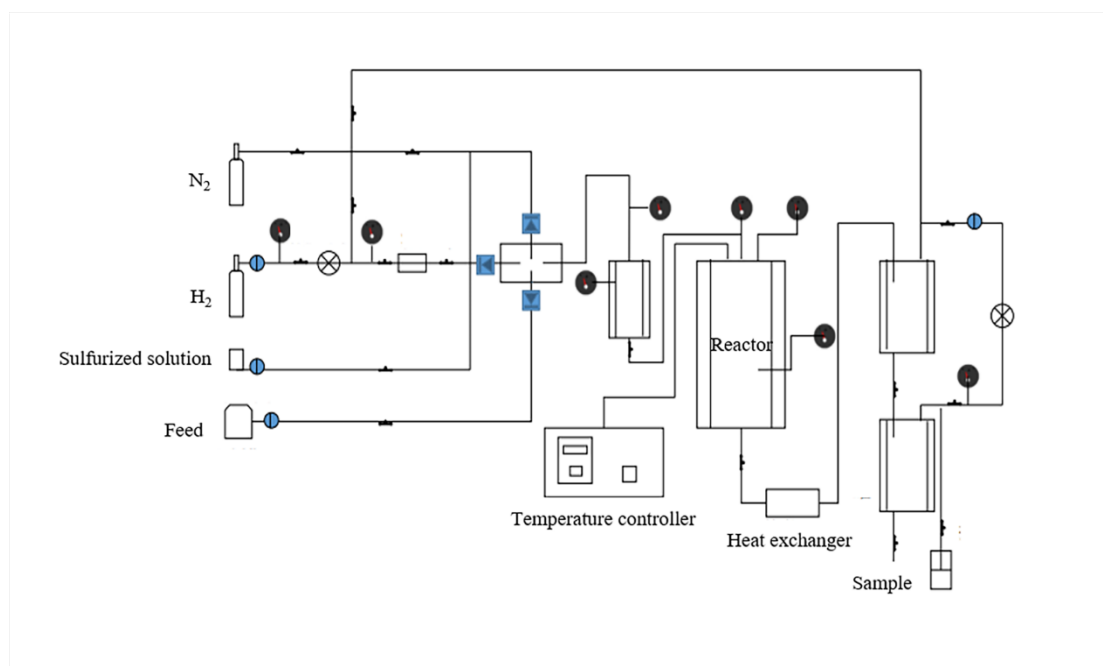


Fig. S1 Fixed-bed reactor for the experiments.

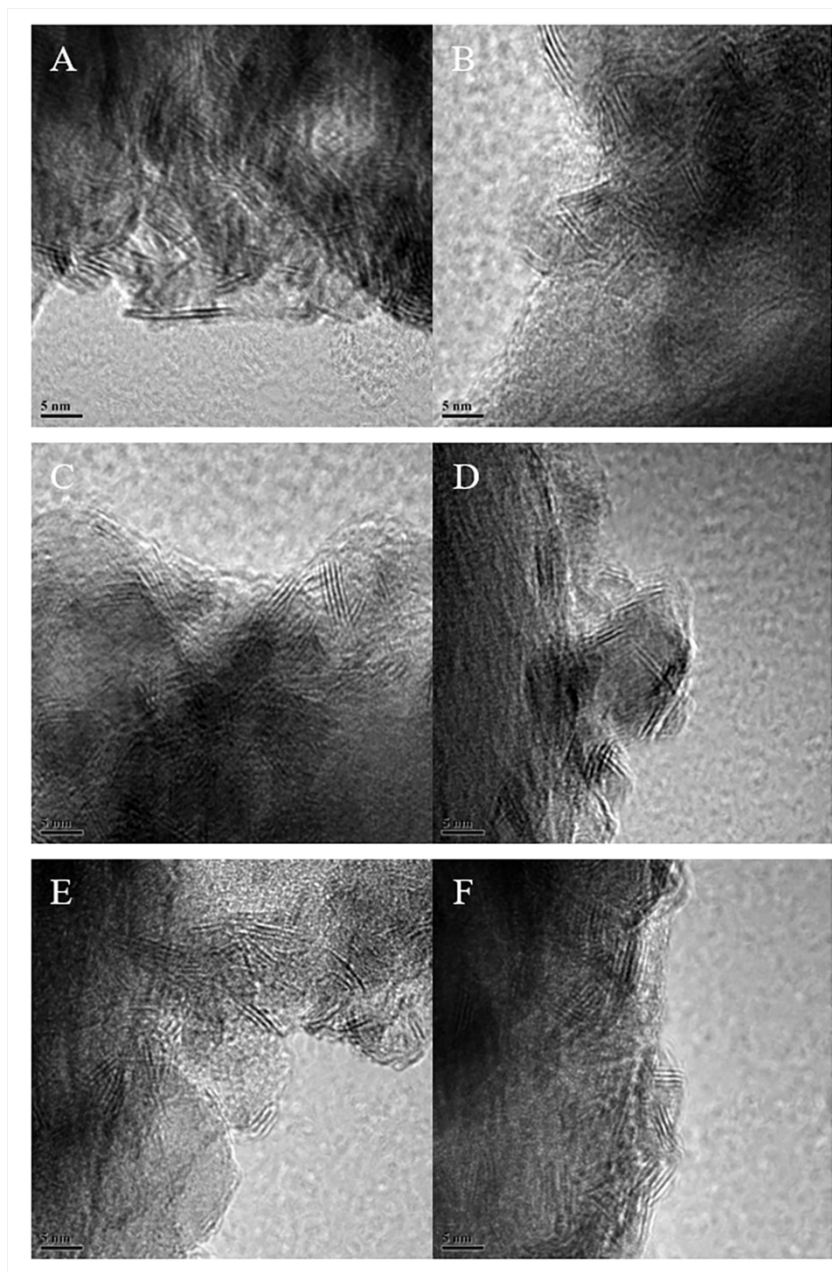


Fig. S2 HRTEM images of the hydrocracking catalyst.

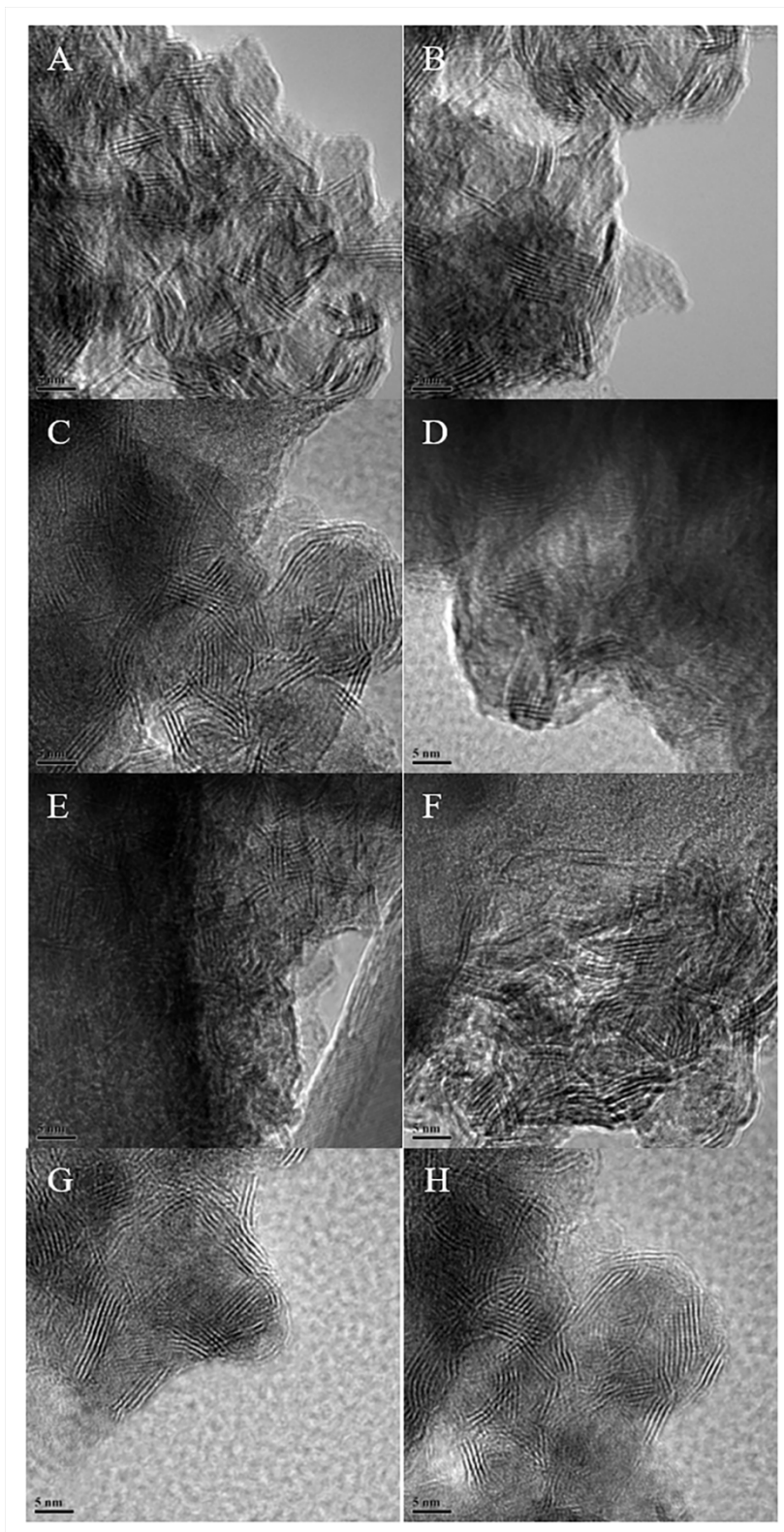


Fig. S3 HRTEM images of the various H-Beta zeolite-loaded catalysts.